



CS625 | 6-axis Collaborative Robot

CS SERIES



25kg
Payload



1500mm
Radius



± 0.08 mm
Repeatability



3.3m/s
Max TCP Speed



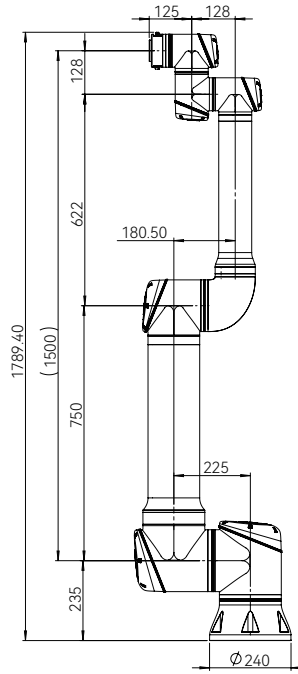
CS625

CS SERIES

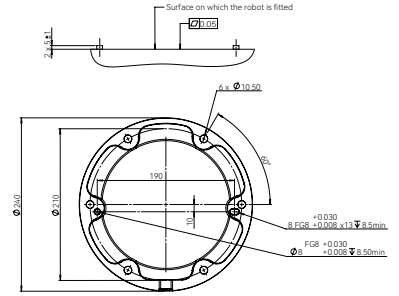


Robotic Arm

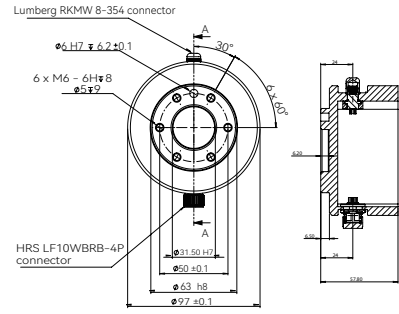
| | |
|-------------------------------|---|
| Payload | 25kg |
| Radius | 1500mm |
| Repeatability | ±0.08mm |
| Axis | 6 |
| Joints rotation | J1-J6 ±360° |
| Joints speed | J1-J2 125°/s |
| | J3 150°/s |
| | J4-J6 210°/s |
| Max TCP Speed | 3.3m/s |
| IP rating | IP68 |
| Temperature range | 0-50 °C |
| Relative humidity | <90% (non-condensing) |
| Typical power usage | 625w |
| Mounting | Any angle |
| Tool I/O connector | T1: M8, 8pin; T2: Ø 12.8mm, 4pin |
| Tool I/O ports | 4 config. DI, 4 config. DO; 1 AI, 1 AO |
| Tool I/O power supply | T1: 12V / 24V, 3A, 2A, 1A; T2: 24 V, 5A |
| Tool I/O communication | RS485, CAN |
| Footprint | Ø240mm |
| Weight | 58kg |
| Material | Aluminum, Steel |
| Cable length | 5.5m |
| Certifications | CE-EMC, CE-MD, ISO-13849, NRTL |



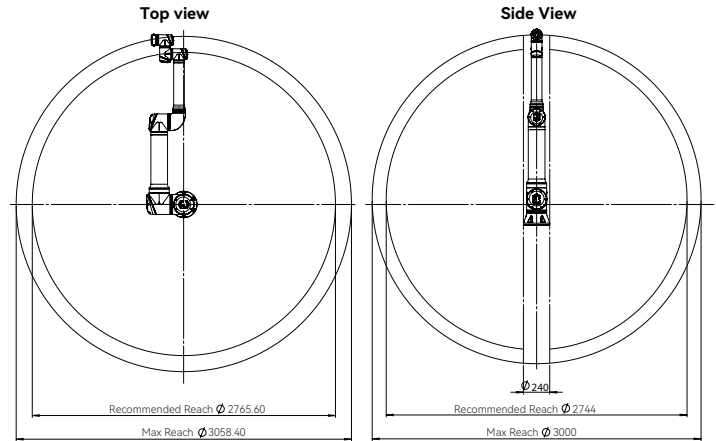
CS625 external dimensional drawing



CS625 base top view



CS625 end flange



CS625 working range diagram

Teach-Pendant



| | |
|--------------------------|-------------------------|
| Size | 301mm x 232mm x 54mm |
| Material | Aluminum, Plastic |
| IP rating | IP54 |
| Resolution | 1280 x 800 pixels |
| Weight | 1.7 kg |
| Cable length | 5.5 m |
| Temperature range | 0-50 °C |
| Input method | Capacitive touch-screen |

Controller



| | |
|--------------------------|--|
| Size | 505mm x 432mm x 257mm |
| Material | Aluminum, Steel |
| IP rating | IP44 |
| I/O ports | 24 x DI (8 config.), 24 DO (8 config.); 2 x AI, 2 x AO, 4 x High Speed DI |
| I/O power supply | 24V; 3A (internal), 6A (external) |
| Communication | 3 Ethernet, 1 RS485, TCP/IP, MODBUS TCP/RTU, EtherNet/IP slave, Profinet slave |
| Temperature range | 0-50 °C |
| Power source | 100-240 VAC, 50-60 Hz / 19-72VDC |

The controller is also available in an OEM version.